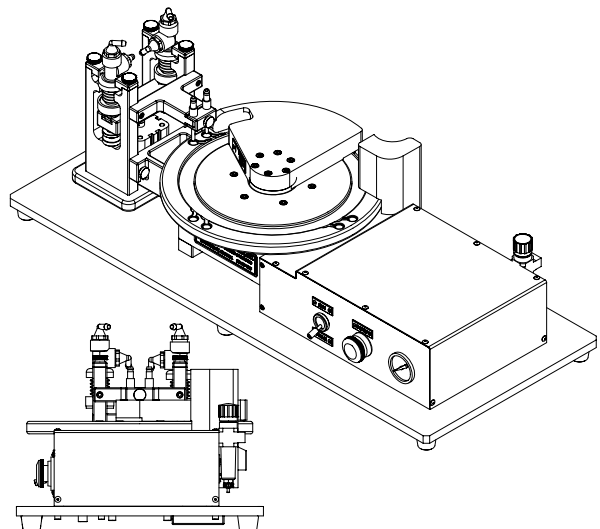
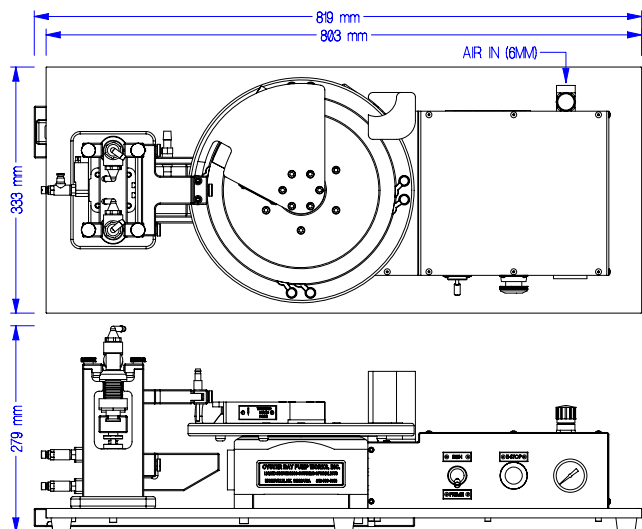




FLIP TOP VIAL FILLER & CLOSER

- entirely pneumatic actuation (no electronics)
- operator manually places 2 vials at a time
- filling, cap closure, & vial ejection are entirely automatic
- very easy to operate



Oyster Bay Pump Works specializes in the design and manufacture of integrated automation systems. Since 1979, we have been designing solutions and supplying cost-effective and reliable equipment to the diagnostics industry. Ask us about applying this experience to your needs.